



ADA Compliance Program

Clark County Facilities Transition Plan Law Enforcement Center Date of Survey: July 10, 2006

Conducted by: Clark County Citizen ADA Advisory Committee

Wayne Yarnall

Bud Van Cleve

Teresa Guise (Absent)

Connie Brittain

Jesse Magana

Tim McVicker



Location: South side of Public Service Center

Item: Bicycle Locker Obstructs pedestrian crosswalk threshold

General Comment

Bicycle locker blocks pedestrian crosswalk between the Public Service Center and Law Enforcement Center/Courthouse



Location: SE Corner of north parking lot

Item: No detectable warnings on Two Curb Cuts for Disabled Parking Access Aisles.

Requirements: Detectable Warnings

IBC- Section 1102 Definitions – Detectable Warnings – A standardized surface feature built in or applied to walking surfaces or other elements to warn visually impaired persons of hazards on a circulation path.

ANSI Code: 705.2 Standardization – Detectable warning surfaces shall be standard within a building, facility, site or complex of buildings

ANSI 705.5 Truncated Domes – Detectable warning surfaces shall have truncated domes complying with Section 705.5

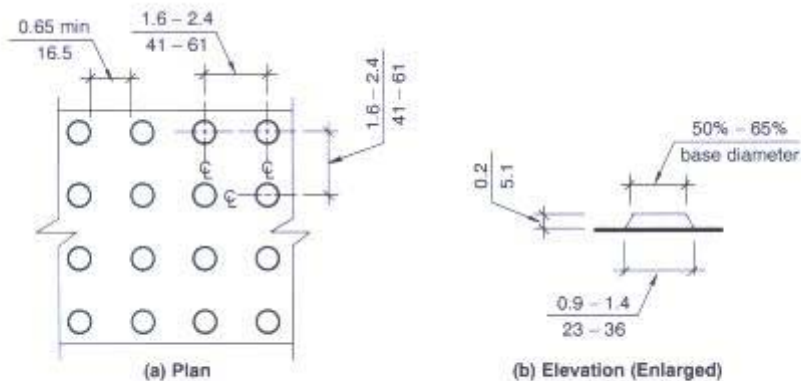


Fig. 705.5
Truncated Dome Size and Spacing



Location: North Entrance

Item: Signage – North entrance is inaccessible. Signage is required with directions to nearest accessible entrance to the east.

Requirements: Signage Required

IBC 1110.1 - Signs Required

Accessible elements shall be identified by the International Symbol of Accessibility at the following locations:

- Accessible entrances where not all entrances are accessible.

IBC 1110.2 - Directional Signage

Directional signage indicating the route to the nearest like accessible element shall be provided at the following locations. These directional signs shall include the International Symbol of Accessibility:

- Inaccessible building entrances

Sign Sample: Signs must meet ANSI Chapter 7 Communication Elements and Features



Location: North parking lot of Law Enforcement Center

Item: Curb Cuts

General Comment

Curb cuts and detectible warnings should be considered for islands in the north parking lot. This would facilitate direct access to the front of the Law Enforcement Center from the sidewalk. However, accessible routes do exist on the west and east sides of the parking lot.



Location: West Entrances

Item: Signage – West entrances are inaccessible. Signage is required with directions to nearest accessible entrance to the east.

Requirements: Signage Required

IBC 1110.1 - Signs Required

Accessible elements shall be identified by the International Symbol of Accessibility at the following locations:

- Accessible entrances where not all entrances are accessible.

IBC 1110.2 - Directional Signage

Directional signage indicating the route to the nearest like accessible element shall be provided at the following locations. These directional signs shall include the International Symbol of Accessibility:

- Inaccessible building entrances

Sign Sample: Signs must meet ANSI Chapter 7 Communication Elements and Features



Location: West Sidewalk

Item: Stability and Surface – Vertical distance exceeds ½ inch.

Requirements: Surface Maintenance

ANSI 302.1 – General

Floor surfaces shall be stable, firm and slip resistant.

ANSI 303.3 Beveled

Changes in level greater than ¼ inch in height and not more than ½ inch maximum in height shall be beveled with a slope not steeper than 1:2.



Location: West Sidewalk at Driveway Crossing
Item: No Detectable Warnings
Requirements: Detectable Warnings

IBC- Section 1102 Definitions – Detectable Warnings – A standardized surface feature built in or applied to walking surfaces or other elements to warn visually impaired persons of hazards on a circulation path.

ANSI Code: 705.2 Standardization – Detectable warning surfaces shall be standard within a building, facility, site or complex of buildings

ANSI 705.5 Truncated Domes – Detectable warning surfaces shall have truncated domes complying with Section 705.5

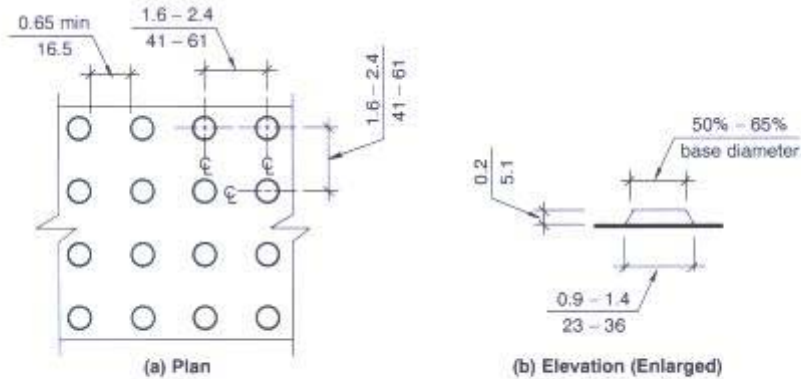


Fig. 705.5
Truncated Dome Size and Spacing



Location: Pedestrian Crosswalks – 11th and Harney
Item: Curb Cuts and No Detectable Warnings
Requirements: Curb Cuts and Detectable Warnings

ANSI 406.1 General - Curb Ramps

Curb ramps on accessible routes shall comply with Sections 406, 405.2, 405.3 and 405.10.

IBC- Section 1102 Definitions – Detectable Warnings – A standardized surface feature built in or applied to walking surfaces or other elements to warn visually impaired persons of hazards on a circulation path.

ANSI Code: 705.2 Standardization – Detectable warning surfaces shall be standard within a building, facility, site or complex of buildings

ANSI 705.5 Truncated Domes – Detectable warning surfaces shall have truncated domes complying with Section 705.5 (See preceding photo and comments)



Location: South Sidewalk at Driveway Crossing
Item: No Detectable Warnings
Requirements: Detectable Warnings

IBC- Section 1102 Definitions – Detectable Warnings – A standardized surface feature built in or applied to walking surfaces or other elements to warn visually impaired persons of hazards on a circulation path.

ANSI Code: 705.2 Standardization – Detectable warning surfaces shall be standard within a building, facility, site or complex of buildings

ANSI 705.5 Truncated Domes – Detectable warning surfaces shall have truncated domes complying with Section 705.5

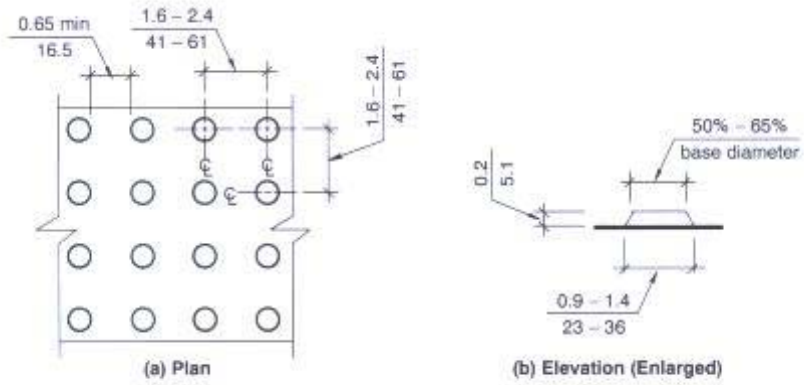


Fig. 705.5
Truncated Dome Size and Spacing



Location: South Sidewalk Deterioration

Item: Stability and Surface

Requirements: Surface Maintenance

ANSI 302.1 – General

Floor surfaces shall be stable, firm and slip resistant.



Location: 11th and Grant

Item: No Detectible Warnings

Requirements: Detectible Warnings

IBC- Section 1102 Definitions – Detectable Warnings – A standardized surface feature built in or applied to walking surfaces or other elements to warn visually impaired persons of hazards on a circulation path.

ANSI Code: 705.2 Standardization – Detectable warning surfaces shall be standard within a building, facility, site or complex of buildings

ANSI 705.5 Truncated Domes – Detectable warning surfaces shall have truncated domes complying with Section 705.5

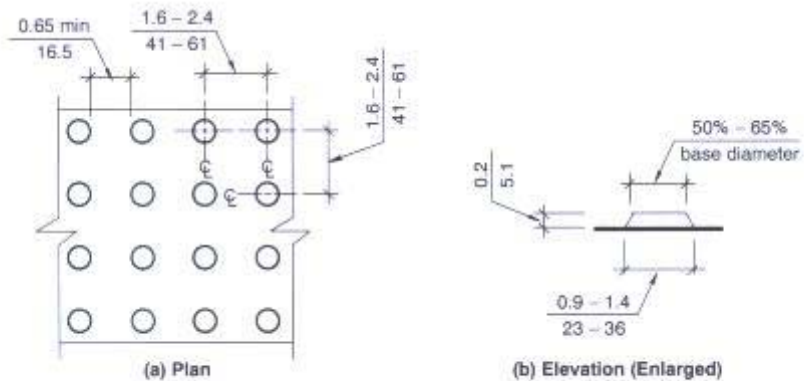


Fig. 705.5
Truncated Dome Size and Spacing



Location: SW Corner of Building – Juror Parking Lot Crosswalk to Courthouse

Item: No Detectable Warnings

Requirements: Detectable Warnings

IBC- Section 1102 Definitions – Detectable Warnings – A standardized surface feature built in or applied to walking surfaces or other elements to warn visually impaired persons of hazards on a circulation path.

ANSI Code: 705.2 Standardization – Detectable warning surfaces shall be standard within a building, facility, site or complex of buildings

ANSI 705.5 Truncated Domes – Detectable warning surfaces shall have truncated domes complying with Section 705.5



Location: NW End of Crosswalk from Juror Parking Lot to Courthouse

Item: Stability and Surface – Vertical distance is almost 2 inches.

Requirements: Surface Maintenance

ANSI 302.1 – General

Floor surfaces shall be stable, firm and slip resistant.

ANSI 303.3 Beveled

Changes in level greater than ¼ inch in height and not more than ½ inch maximum in height shall be beveled with a slope not steeper than 1:2.



Location: SE Corner of Building – Disabled Parking Area on Grant Street

Item: Curb Cuts and Accessible Route

Item: Detectable Warnings

Item: Van Accessible Parking

Requirements: Curb Cuts, Detectable Warnings, Signage Height, Van Accessible Parking

ANSI 502.4.1 Location – Access aisles shall adjoin an accessible route.

IBC- Section 1102 Definitions – Detectable Warnings – A standardized surface feature built in or applied to walking surfaces or other elements to warn visually impaired persons of hazards on a circulation path.

ANSI Code: 705.2 Standardization – Detectable warning surfaces shall be standard within a building, facility, site or complex of buildings

ANSI 705.5 Truncated Domes – Detectable warning surfaces shall have truncated domes complying with Section 705.5

IBC 1106.5 Van Spaces – For every six or fraction of six accessible spaces, at least one shall be a van accessible space. (There are no van accessible spaces on the south side of the Law Enforcement Center or Courthouse)

ANSI 502.2 - See ANSI Chapter 5 for placement and size of accessible parking spaces to include van spaces requirements.



Location: South Juror Parking Lot

Item: No Vertical Disabled Parking Signage in Juror Parking Lot

Requirements: Signage

RCW 46.61.581 Parking Spaces for Persons with Disabilities

A parking space or stall for a person with a disability shall be indicated by a vertical sign with the international symbol of access, whose colors are white on a blue background, described under RCW 70.92.120.



Location: Lower Portion of Ramp to Ground Floor of Law Enforcement Center

Item: Slope

Requirement: Ramps shall have a Running Slope not Steeper than 1:12.

ANSI 405.2 Slope – Ramp runs shall have a running slope not steeper than 1”12.

Exception: In existing buildings or facilities ramps shall be permitted to have slopes steeper than 1:12 complying with 405.2 where such slopes are necessary due to space limitations.



Location: Lower Entrance to Ground Floor of Law Enforcement Center

Item: Accessible Entrance Signage

Requirement: Signage

RCW 70.92.120 Handicap Symbol – Display – Signs Showing Location Entrance for Handicapped.

All buildings built in accordance with the standards and specifications provided for in this chapter, and containing facilities that are in compliance therewith, shall display the following symbol which is known as the International Symbol of Access.

Such symbol shall be white on a blue background and shall indicate the location of facilities designed for the physically disabled or elderly. When a building contains an entrance other than the main entrance which is ramped or level for use by physically disabled or elderly persons, a sign with the symbol showing its location shall be posted at or near the main entrance which shall be visible from the adjacent public sidewalk or way.



Location: Lower Entrance to Ground Floor of Law Enforcement Center

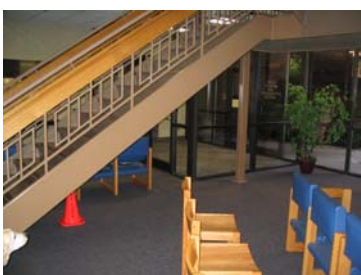
Item: Call Button Height

Requirement: Reach Range The call button height is 53.5”

ANSI 308.2 Forward Reach

ANSI 308.3.1 Side Reach – Unobstructed

Both of the noted ANSI requirements have a maximum high reach shall be 48 inches.



Location: Ground Floor of Law Enforcement Center

Item: Stairs – Protrusion Limits

ANSI 307.4 Reduced Vertical Clearance

Guardrails or other barriers shall be provided where object protrusion is beyond limits allowed by Sections 307.2 and 307.3, and where the vertical clearance is less than 80 inches above the floor. The leading edge of the guardrail or barrier shall be 27 inches maximum above the floor.

Recommendations:

- Construct Barrier
- Position furniture to block access to area under stairwell.

Note: The Sheriff’s Office normally has chairs blocking access to the underside of the stairwell as noted on the far side of the staircase in this photo. At the time this photo was taken, the chairs had been moved for an awards ceremony.



Location: Public Telephone – 1st Floor of Law Enforcement Center
Item: Height of Operable Parts
Item: Length of Cord

The Telephone on the 1st floor lobby of the Law Enforcement Center is too high. The coin deposit height is 59.5" and the cord length is 28".

ANSI 704.2.2 Operable Parts (Telephone) The highest operable part of the telephone shall comply with Section 308. (48")

ANSI 704.2.4 Cord Length. The telephone handset cord shall be 29 inches minimum in length

No Photo

Location: Sex Offender Citizen Computer table – 1st Floor of Law Enforcement Center

Item: Knee Clearance
Requirement – Minimum Depth

The knee clearance height of the sex offender computer information table is 24.75" high.

ANSI 306.3.3 Where knee clearance is required beneath an element as part of a clear floor space, the knee clearance shall be part 11 inches minimum in depth at 9 inches above the floor, and 8inches minimum in depth at 27 inches above the floor.

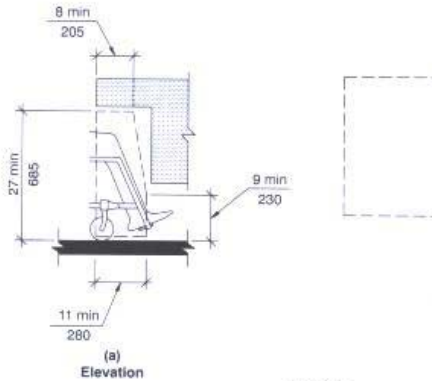


Fig. 306.3



Location: Public Men's Restroom – 1st Floor of Law Enforcement Center
Item: Maneuvering Clearances
Requirement: Minimum Maneuvering Clearances

The door clearance in the men's restroom is 14 inches. A power door is recommended as clearance is very tight for someone in a wheelchair.

ANSI 404.2.2 Clear Width of Doorways

TYPE OF USE		MINIMUM MANEUVERING CLEARANCES	
Approach Direction	Door Side	Perpendicular to Door	Parallel to Doorway (beyond latch unless noted)
From front	Pull	60 inches	18 inches



Location: Public Men's and Women's Restroom – 1st Floor of Law Enforcement Center

Item: Exposed Pipes
Requirement: Exposed Pipes to be Covered

ANSI 606.6 Exposed Pipes and Surfaces – Water supply drainpipes under lavatories and sinks shall be insulated or otherwise configured to protect against contact. There shall be no sharp or abrasive surfaces under lavatories and sinks.



Location: Public Men's Restroom – 1st Floor of Law Enforcement Center
Item: Flush Handle Location

Requirement: Hand operated flush controls shall be located on the open side of the water closet.

ANSI – Flush Controls – Hand operated flush controls shall be located on the open side of the water closet.



Location: Public Men's Restroom – 1st Floor of Law Enforcement Center
Item: Toilet Paper Dispenser

Requirement: See ANSI Requirement

Toilet paper dispensers are approximately 26 inches from edge of toilet seat.

ANSI 604.7 Dispensers – Toilet paper dispensers shall comply with Section 3098.4 and shall be 7 inches minimum and 9 inches maximum in front of the water closet measured to the centerline of the dispenser. The outlet of the dispenser shall be 15 inches minimum and 48 inches maximum above the floor and shall not be located behind grab bars.

ANSI 308.3.2 Reach range should be between 10" and 24".



Location: Public Men's Restroom – 1st Floor of Law Enforcement Center
Item: Coat Hook Height

Requirement: Hooks and Shelves not to Exceed 40 inches

Hook in men's restroom accessible stall is 68 inches high.

ANSI – Coat Hooks and Shelves Coat hooks and shelves shall be located within one of the reach ranges specified in Section 308. Shelves shall be 40 inches minimum and 48 inches maximum above the floor.



Location: Public Men's Restroom – 1st Floor of Law Enforcement Center
Item: Accessible Stall Door Lock

Requirement: Door handle is broken and needs to be repaired.

Handles must be able to be operated with a closed fist. This handle meets that requirement but must be repaired.



Location: Public Men's and Women's Restroom – 1st Floor of Law Enforcement Center
Item: Towel Dispenser Height

Requirement: Height Maximums

The height of the towel dispensers in the men's and women's restrooms is 58 inches to the paper dispenser.

ANSI 308.2 Forward Reach

ANSI 308.3.1 Side Reach – Unobstructed

Both of the noted ANSI requirements have a maximum high reach shall be 48 inches.



Location: Restroom – 1st Floor of Law Enforcement Center

Item: Signage

Requirement: Location and Detail

The current signs are improperly placed and lack Braille.

ANSI 703.1 – General - Accessible signs shall comply with Section 703. (Check for character height etc.)

ANSI 703.3.11 Location – Where a tactile sign is provided at a door, the sign shall be alongside the door at the latch side.

ANSI 703.4.1 General – Braille shall be contracted Braille and shall comply with Section 703.4.



Location: Door to Work Release and Main Control

1st Floor of Law Enforcement Center

Item: Call Button Height

Requirement: Reach Range The call button height is for Work Release is 57.5” – call button height for Main Control is 60 inches.

ANSI 308.2 Forward Reach

ANSI 308.3.1 Side Reach – Unobstructed

Both of the noted ANSI requirements have a maximum high reach shall be 48 inches.



Location: Elevator to Community Corrections - 1st Floor of Law Enforcement Center

Item: Floor Identification Lacks Braille

Item: Audible Signals

Requirements: ANSI 407.2.3.1

ANSI 407.2.3.1 Floor designators shall be provided in tactile characters complying with section 70.3 located on both jambs of elevator hoistway entrances (ANSI 407.2.3.2 with Braille)

ANSI 407.2.2.3 Audible signals shall sound once for the up directions and twice for the down direction.